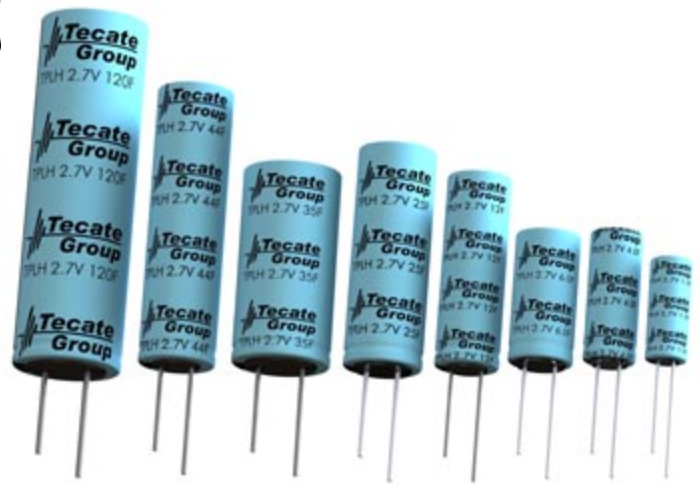


FEATURES

- Small size and low resistance
- Quick charge and discharge
- RoHS compliant
- Sealed for improved performance in elevated humidity environments
- UL Recognized

APPLICATIONS

- Pulse power demand
- Hybrid battery packs
- Portable electronic devices

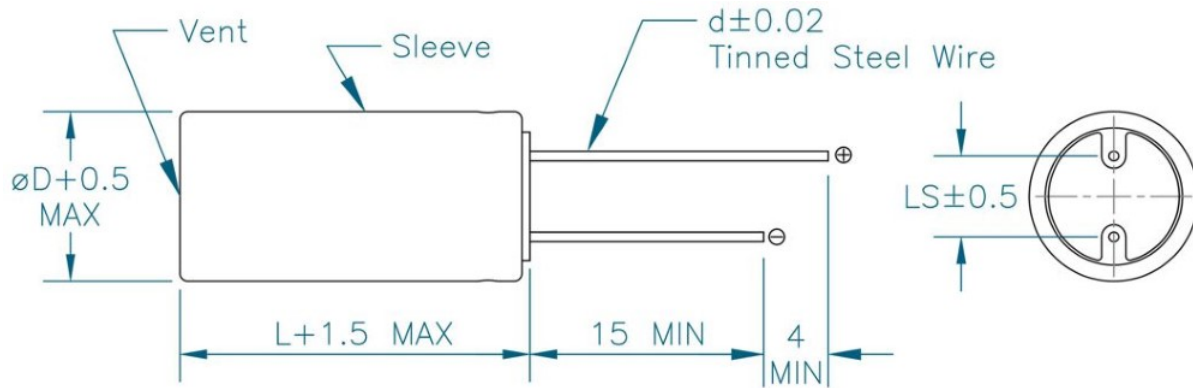


Need a custom fit for your design? [Click here to get started.](#)

GENERAL SPECIFICATIONS

Item	Performance
Operating temperature	-40°C to +65°C @ 2.7V -40°C to +85°C @ 2.3V
Storage temperature	-40°C to +70°C
Capacitance range	1.5F to 120F
Rated voltage	2.7 VDC / 2.3 VDC
Surge voltage	2.85 VDC
Temperature characteristics	Capacitance change: Within ±5% of initial measured value at +25°C (-40°C to +65°C) Internal resistance: Within ±50% of initial measured value at +25°C (at -40°C)
Endurance (At rated voltage & max. operating temp)	After 1000 hours: Capacitance change: ±30% of initial rated value Internal resistance: Within 2 times of initial specified value
Projected Load life (At rated voltage & 25°C)	After 10 years: Capacitance change: Within ±30 % of initial rated value Internal resistance: Within 2 times of initial specified value
Projected cycle life (From rated voltage to 1/2 rated voltage at 25°C)	After 500,000 cycles: Capacitance change: Within ±30 % of initial rated value Internal resistance: Within 2 times of initial specified value
Shelf life	After 2 years at 25°C without load, the capacitor shall meet the specified endurance limits.
Biased humidity life	3000 hours of continuous charging at VR, 60°C and 90%RH for mechanical integrity

DIMENSIONS



STANDARD PRODUCTS

Part Number	Nom. Cap. (F)	GMV (F)*	ESR DC Typical (mΩ)	ESR AC Max. (mΩ) (1 KHz)	Leakage Current (mA) (72 hrs @ 25C)	Dimensions (mm)				Rated Current (A)	Weight/Unit (grams)
						D	L	d	LS		
TPLH-2R7/1.5WR6X15	1.5	1.35	253	231	0.01	6.3	15	0.5	2.5	1.03	1
TPLH-2R7/2.8WR8X16	2.8	2.52	148	129	0.016	8	16	0.6	3.5	2	1.5
TPLH-2R7/4.0WR8X20	4	3.6	110	88	0.022	8	19	0.6	3.5	2.9	1.6
TPLH-2R7/6.0WR10X20	6	5.4	75	52	0.024	10	20	0.6	5	4.3	2.5
TPLH-2R7/12WR10X30	12	10.8	66	36	0.048	10	30	0.6	5	8.02	3.5
TPLH-2R7/22WR12X31	22	19.8	38	32	0.088	12.5	31.5	0.8	5.3	14.92	6.5
TPLH-2R7/25WR12X35	25	22.5	33	27	0.096	12.5	35.5	0.8	5.3	16.46	7
TPLH-2R7/28WR12X35	28	25.2	27	25	0.122	12.5	35.5	0.8	5.3	18.31	7.3
TPLH-2R7/30WR12X35	30	27	27	25	0.122	12.5	35.5	0.8	5.3	19.76	8.5
TPLH-2R7/30WR16X26	30	27	26	23	0.13	16	26	0.8	7.5	19.76	8.5
TPLH-2R7/34WR12X40	34	30.6	25	22	0.162	12.5	40	0.8	5.3	22.72	8.5
TPLH-2R7/35WR16X31	35	31.5	25	22	0.162	16	31.5	0.8	7.5	23.05	8.5
TPLH-2R7/40WR12X46	40	36	24	21	0.17	12.5	46.5	0.8	5.3	27	8.6
TPLH-2R7/44WR12X46	44	39.6	24	21	0.17	12.5	46.5	0.8	5.3	28.29	8.6
TPLH-2R7/75WR18X40	75	67.5	16	14	0.24	18	40	1	7.5	40.5	17
TPLH-2R7/120WR18X60	120	108	12	10	0.415	18	60	1	7.5	55.48	23

*NOTE: GMV = Guaranteed Minimum Value.